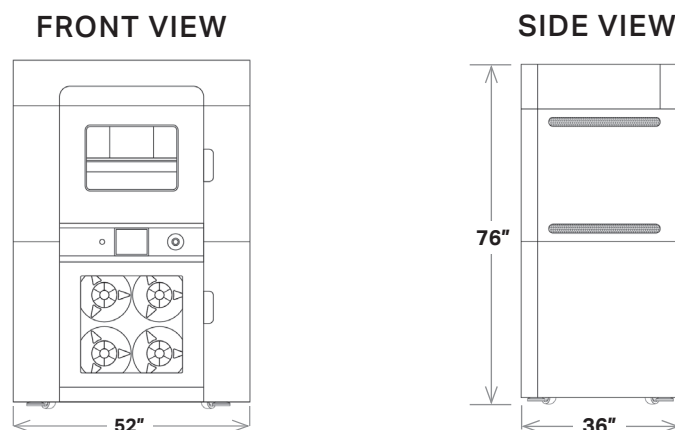


PRODUCT SPECIFICATIONS

FX20

FX20 is the biggest, fastest, smartest printer in the Markforged lineup. Engineered to deliver maximum strength, accuracy, and consistency, FX20 produces mission-critical parts for the most demanding applications, from the factory floor to the skies and beyond. Replace long lead-time metals with high-temperature thermoplastics and continuous fiber reinforced composites— with FX20 and the cloud-connected, continuously learning Digital Forge platform, globally distributed production at the click of a button is now a reality.

Printer Properties	Process	Fused Filament Fabrication, Continuous Fiber Reinforcement
	Build Volume	Single-nozzle builds: 525 x 400 x 400 mm (20.6 x 15.7 x 15.7 in) Multi-nozzle builds: 500 x 400 x 400 mm (19.7 x 15.7 x 15.7 in)
	Weight	450 kg (1000 lbs)
	Machine Footprint	1325 x 900 x 1925 mm (52.2 x 35.5 x 75.75 in)
	Temperature Control	Up to 200°C steady-state
	Print System	Direct-drive print head with three nozzles (two plastic, one fiber)
	Power	200-240VAC 3P+E, 24A or 347-416VAC 3P+N+E, 14A; 8 kW
	Safety	IEC/UL/CSA 62368-1 certified, CE Marked, EU Machinery Directive compliant
Materials	Plastics	ULTEM™ 9085 filament, Onyx, Onyx FR, Onyx ESD, Nylon White
	Continuous Fibers	Carbon Fiber, Fiberglass, Kevlar®, HSHT Fiberglass
Part Properties	Layer Height	50 µm minimum, 250 µm maximum
	Accuracy	+/- 125 µm or +/- 0.0015 mm per mm (whichever is greater)
Software	Eiger	Secure digital library, powerful slicer, and printer management (premium options available at cost)
	Security	Two-factor authentication, org admin access, single sign-on, MFP print files encrypted by default and tamper resistant
	Connectivity	Eiger connection and over-the-air updates via Ethernet



* All specifications are approximate and subject to change without notice. Support for listed materials and layer heights will be added over time, though not in every combination. The ULTEM™ and 9085 trademarks are used under license from SABIC, its affiliates or subsidiaries. Dupont™ and Kevlar® are trademarks and registered trademarks of E.I. du Pont de Nemours and Company.

